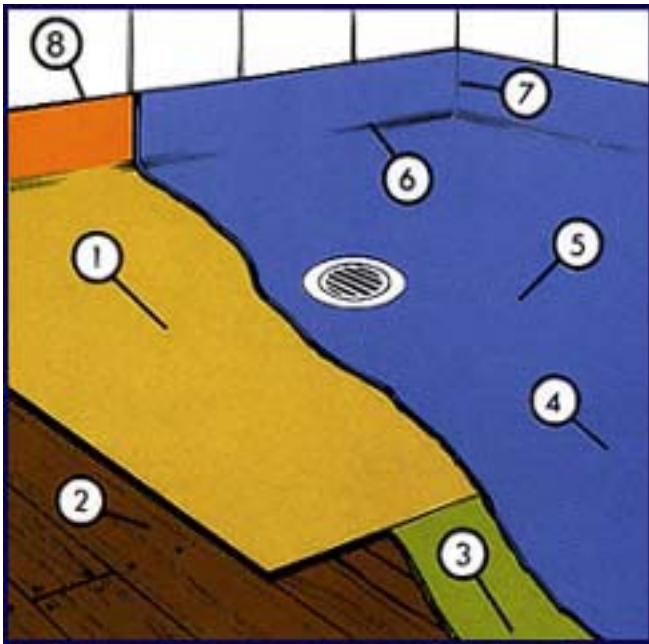


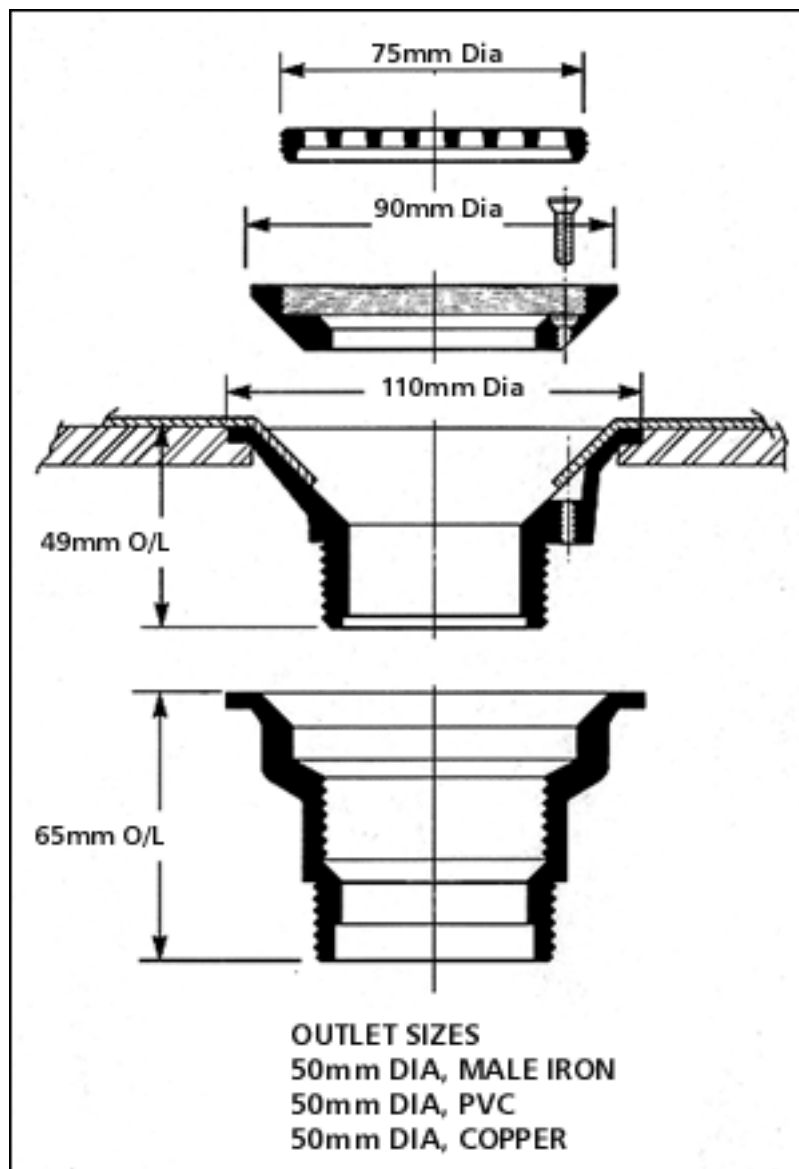
The first flush fitting shower base designed and manufactured in Australia.



1. The Stepless Shower Base
2. Existing timber floor
3. 5.5mm Hardies Underlay
4. No step - flush with existing floor
5. Slip resistant Altro Safety Flooring
6. Smooth curved edges - easy to clean
7. Waterproof welded corners
8. 6mm Hardies Villa Board

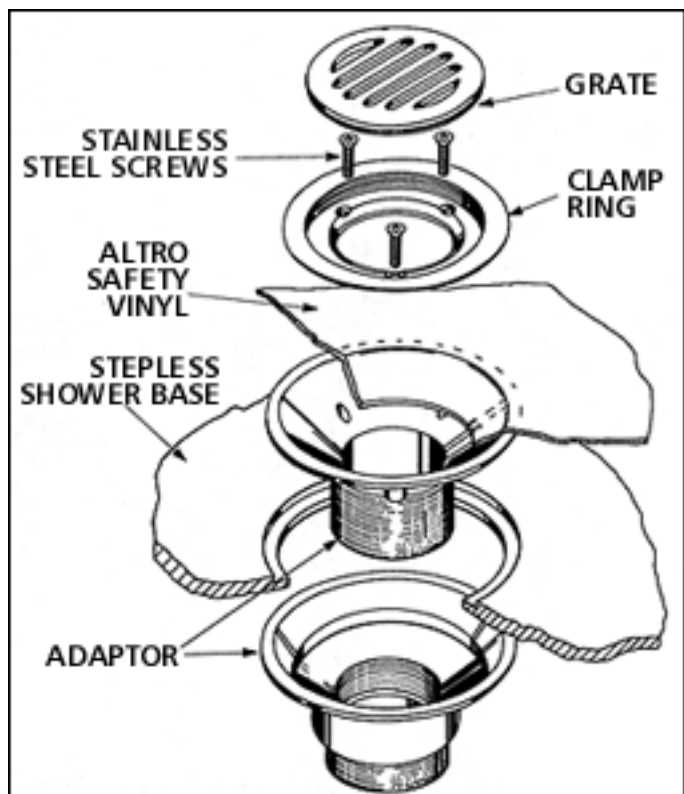
Installation: Can be carried out by qualified tradespeople or we can arrange installation.

Cutaway section details:



The Stepless Shower Base is used by:

- Multiple Sclerosis Society
- Spastic Society of Victoria
- Aged Care Assessment Teams
- Department of Planning and Development
- Yooralla Society of Victoria
- Architects
- Private homes
- Department of Veterans Affairs





Type Tested Plumbing Safety MP 52-SPEC 29
CERT No. 8707 Standards Australia.



Designed and Manufactured in Australia Pat. No 65 1477

7 Year Warranty on Altro Safety Flooring



Click [here](#) to download a pdf version of this page for printing.



You will need Adobe Acrobat Reader to view the pdf. If you don't have Acrobat Reader, please click [here](#) for more information.